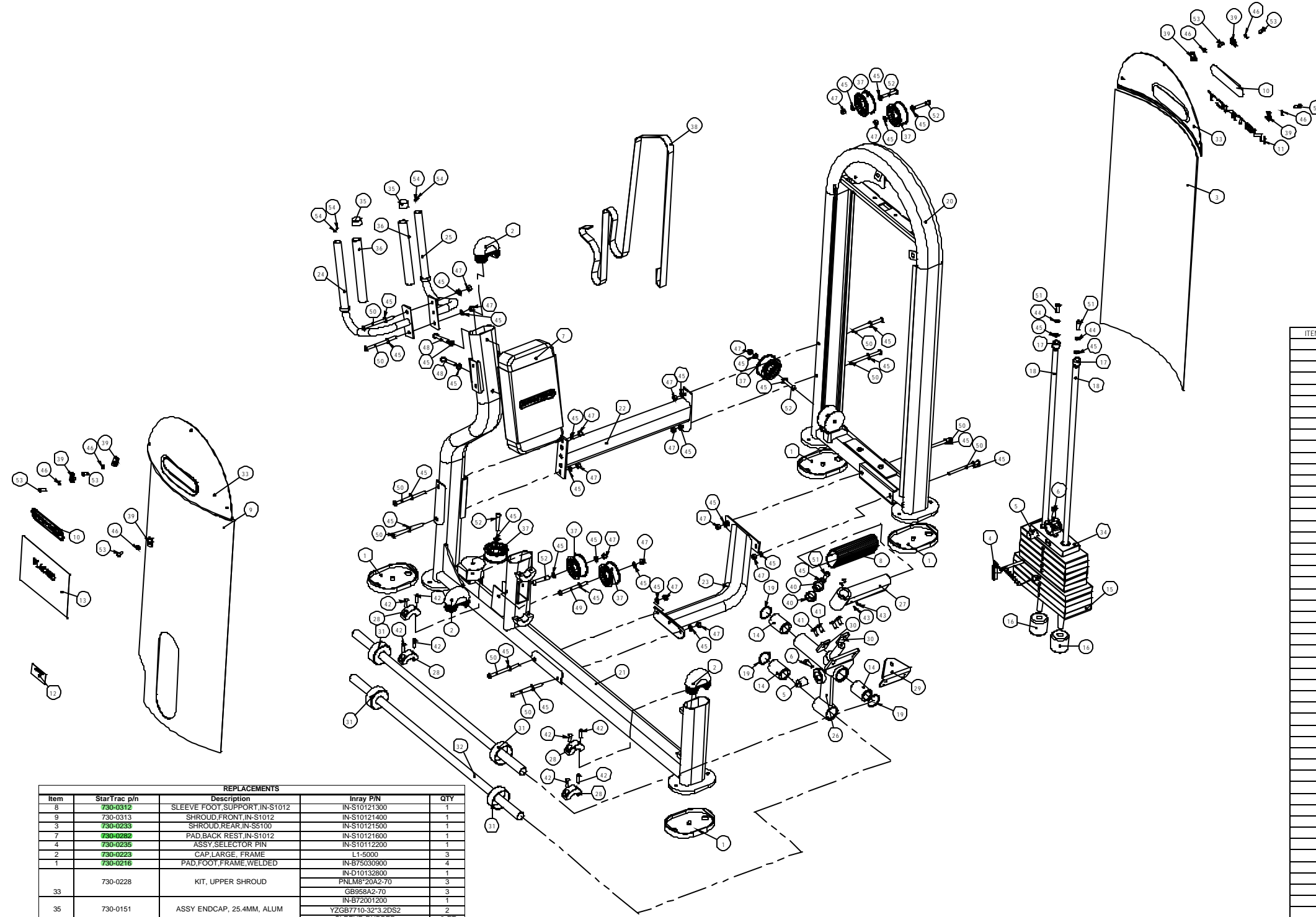


REVISION HISTORY				
REV	DATE	DESCRIPTION	ECO	BY
A	11-7-06	PRODUCTION RELEASE	11508	SMS
B	6-27-07	UPDATE 3D MODEL & P/N	11657	AK
C	08-30-07	REPLACEMENT LIST, ENTER STARTRAC P/N TO KIT	11708	AK



ITEM NO.	STARTRAC P/N	INRAY P/N	DESCRIPTION	QTY.
1	730-0216	IN-B75030900	PAD, FOOT, FRAME, WELDED	4
2	730-0223	L1-5000	CAP, LARGE, FRAME	3
3	730-0233	IN-S10121500	SHROUD, REAR, IN-S1012	1
4	730-0235	IN-S10112200	ASSY, SELECTOR PIN	1
5	730-0236	IN-S10121700	PIN, BELT ANCHOR	2
6	730-0237	GB70M10-30A2-70NLL	SCREW, M10x30, SHS, SS	2
7	730-0222	IN-S10121600	PAD, BACK REST, IN-S1012	1
8	730-0312	IN-S10121300	SLEEVE, FOOT, SUPPORT, IN-S1012	1
9	730-0313	IN-S10121400	SHROUD, FRONT, IN-S1012	1
10	730-0383	STARTRAC1	LOGO, STARTRAC	2
11	730-0384	Instinct	LOGO, INSTINCT	1
12	730-0385	CAUTION	LABEL, CAUTION, PINCH POINT	1
13	730-0401	TZSS1012	PLACARD, INSTRUCTION, IN-S1012	1
14	730-0513	M30	BEARING, LINEAR, M30	3
15	730-0553	XZT120A	WSB MAIL, (WS4 + W57)	1
16	730-0562	IN-D10132900	BUMPER, STACK, 60MM	2
17	730-0565	IT80129500	CAP, END, HANDLE	2
18	730-0662	IN-S21001300	WEIGHT STACK, GUIDE RAIL	2
19	730-0674	GB893-147DHS12	RETAINING, SNAP RING, 28MM ID, 34MM OD	3
20	730-0682	IN-S10120100	WEIGHT STACK, FRAME	1
21	730-0683	IN-S10120200	ASSY, MAIN FRAME	1
22	730-0684	IN-S10120300	CROSSBEAM, UPPER, FRAME	1
23	730-0685	IN-S10120400	CROSSBEAM, LOWER, FRAME	1
24	730-0686	IN-S10120500	FRAME, LEFT HANDLE	1
25	730-0687	IN-S10120600	FRAME, RIGHT HANDLE	1
26	730-0688	IN-S10120700	ASSY, SLIDING FOOT FRAME	1
27	730-0689	IN-S10120800	PRVOT, FOOT PAD	1
28	730-0690	IN-S10120900	GUIDE RAIL, CLAMP	4
29	730-0691	IN-S10121000	ASSY, GUIDE, FOOT, COVER	1
30	730-0692	IN-S10121100	ASSY, FOOT, PIVOT, STOPPER	2
31	730-0693	IN-S10121200	GUIDE RAIL, CLAMP, COVER	4
32	730-0699	IN-S10121800	ASSY, FOOT, GUIDE, RAIL	2
33	730-0702	IN-D10132800	SHROUD, UPPER	2
34	730-0703	IN-S10122300	WEIGHT STACK, TOP PLATE	1
35	730-0704	IN-B72001200	CAP, 25MM, ALUMINUM	2
36	730-0705	IN-S10121900	FRAME, HANDLE, GRIP SLEEVE	2
37	730-0721	IN-SS1101000	PULLEY, 75MM	6
38	730-0728	IN-S10112000	BELT	1
39	730-0845	IN-S21004800	SHROUD, MOUNTING, U-STYLE, CLIP	6
40	730-0858	M02502000	BUSHING, 1.0, BRONZE	2
41	730-0870	CNLM10-25A2-70	SCREW, M10x25, FHM, HK, SS	4
42	730-0891	GB70M8-30A2-70	SCREW, M8x30, SHS, SS	8
43	730-0902	GB819M6-12A2-70	SCREW, M6x12, FHM, HK, SS	4
44	730-0907	GB9310DG12	WASHER, M10, SPLUT, LOCK, SS	2
45	730-0908	GB9510A2-70	WASHER, M10, FLAT, SS	36
46	730-0910	GB958A2-70	WASHER, M8, BELLEVILLE, SS	6
47	730-1104	NM10A2-70	NUT, M10, NYLON, PATCH, SS	16
48	730-1109	PNLM10-80A2-70	SCREW, M10x80, BH, SS	2
49	730-1110	PNLM10-115A2-70	SCREW, M10x115, BHC, SS	1
50	730-1112	PNLM10-130A2-70	SCREW, M10x130, BH, SS	10
51	730-1118	PNLM10-30A2-70	SCREW, M10, BHC, HK, SS	3
52	730-1122	PNLM10-63A2-70	SCREW, M10x63, BHC, SS	5
53	730-1138	PNLM8-20A2-70	SCREW, M8x20, BHC, SS	6
54	730-1155	YZGB7710-32x3.2DS2	SCREW, 10-32x3.2, SET	4

REPLACEMENTS				
Item	StarTrac p/n	Description	Inray P/N	QTY
8	730-0312	SLEEVE, FOOT, SUPPORT, IN-S1012	IN-S10121300	1
9	730-0313	SHROUD, FRONT, IN-S1012	IN-S10121400	1
3	730-0233	SHROUD, REAR, IN-S1012	IN-S10121500	1
7	730-0222	PAD, BACK REST, IN-S1012	IN-S10121600	1
4	730-0235	ASSY, SELECTOR PIN	IN-S10112200	1
2	730-0223	CAP, LARGE, FRAME	L1-5000	3
1	730-0216	PAD, FOOT, FRAME, WELDED	IN-B75030900	4
33	730-0228	KIT, UPPER SHROUD	IN-D10132800	1
			PNLM8-20A2-70	3
			GB958A2-70	3
35	730-0151	ASSY, ENDCAP, 25.4MM, ALUM	IN-B72001200	1
			YZGB7710-32x3.2DS2	2
			SLEEVE, RUBBER	2 FT
			IN-SS1101000	1
37	730-0229	KIT, PULLEY REPLACEMENT, 76 MM, SINGLE	PNLM10-63A2-70	1
			NM10A2-70	1
			GB9510A2-70	2
			IN-S10120800	1
27	730-0328	KIT, PEDAL ASSY, IN-S1012	M02502000	2
			GB819M6-12A2-70	4
38	730-0215	KIT, BELT REPLACEMENT	IN-S21002800	15.5 FT
			IN-S10121700	2
			GB70M10-30A2-70	1
N/A	730-0183	KIT, HARDWARE, IN-S1012	??	??
			IN-S10120700	1
			IN-S10121000	1
			IN-S10121100	2
			IN-S10121700	2
			GB893-147FHT12	3
			CNLM10-25A2-70	4
			GB70M10-30A2-70	2
			PNLM10-30A2-70	3

NOTES:

UNLESS OTHERWISE SPECIFIED DIMS ARE IN MM. TOLERANCES FOR MEASURE OF LENGTH ARE:

CLASS OF WORK	TOLERANCES FOR MEASURE OF LENGTH ARE:							
	0.5 to 3	>3 to 6	>6 to 30	>30 to 120	>120 to 400	>400 to 1000	>1000 to 2000	>2000
FINE	±0.05	±0.05	±0.1	±0.15	±0.2	±0.3	±0.5	—
MEDIUM	±0.1	±0.1	±0.2	±0.3	±0.5	±0.8	±1.2	±2
COARSE	±0.2	±0.3	±0.5	±0.8	±1.2	±2	±3	±5
VERY COARSE	—	±0.5	±1	±1.5	±2.5	±4	±8	±15

DOCUMENT STATUS: RELEASE

MATERIAL	
SEE BOM	

THIRD ANGLE PROJECTION

UNISEN, INC. DBA STARTRAC 14410 Myford Road Irvine CA 92606

9IN-S1012-13BSS

IN,SS, GLUTE MACHINE

SCALE: 1:20 SHEET 1 OF 1 SHEET SIZE: B